

# NEW CONCEPT DIGITAL OUTDOOR TV ANTENNA

Model No.: AV-168V

Amplified version



## Introduction:

This is a special designed new concept antenna for digital indoor and outdoor analog and terrestrial HDTV broadcasting reception. It is the best solution for home reception and digital portable TV reception. Complete accessories are included for wall or pole mounting. With the anti-UV and water proof housing, it can be used both indoor and outdoor.

## Technical Data:

- Frequency Range: VHF87.5-230MHz UHF470-862MHz
- Antenna Gain: 30dB
- Max. Output level: 100dBμV
- Impedance: 75Ω
- Noise Figure: ≤3dB
- Power Supply: DC 12V
- Remark: amplified

## Included in Package:

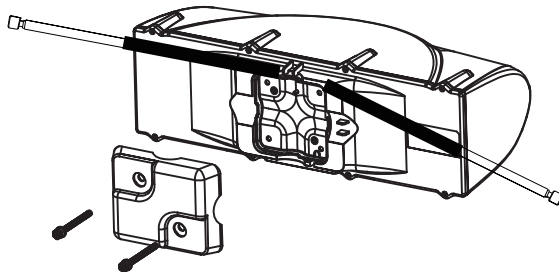
Before start your installation, please check the contents.

1. Antenna main unit
2. Mounting accessories
3. Water-proof kit
4. Power supply unit
5. 8m RG-6U cable
6. Power adapter
7. 2m TV cable

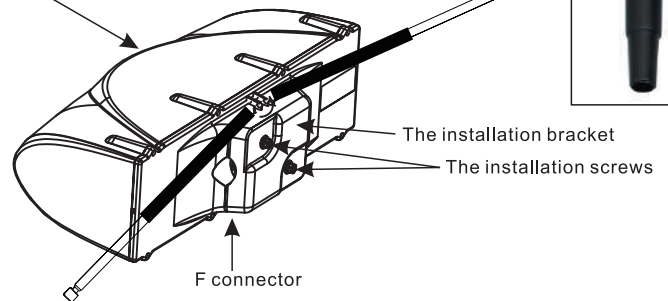


## Product Features:

- Anti-UV coating and waterproof design.
- Lightweight, compact size and easy to install.
- For both analog and digital TV signal reception
- Built-in high gain and low noise preamplifier
- With dipole inbuilt for the excellent UHF and VHF band signal reception.
- Specially Compatible with HDTV of various digital terrestrial signal (DVB-T; ISDB-T; DMB-T/H; ATSC)



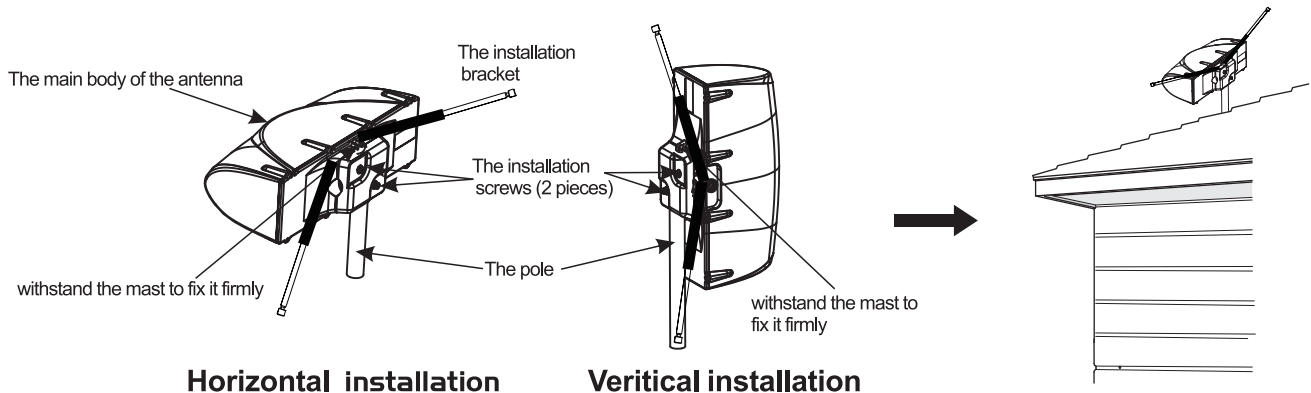
The main body of the antenna



## Mounting the antenna:

This antenna can be used both indoor and outdoor, with the included mounting accessories, it can be mounted on the wall or the pole. **(Fig.1)** use the pole mounting accessories to fix the antenna on the pole.

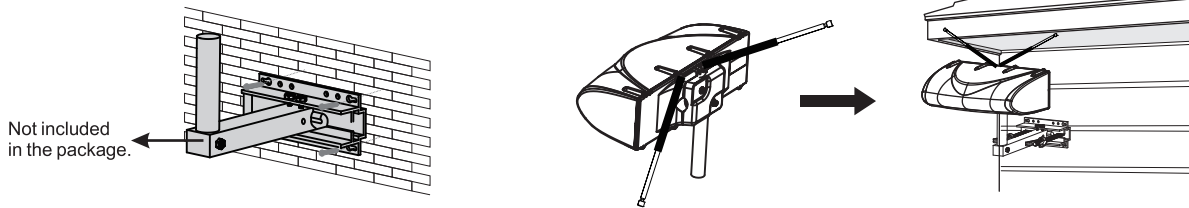
Fig.1



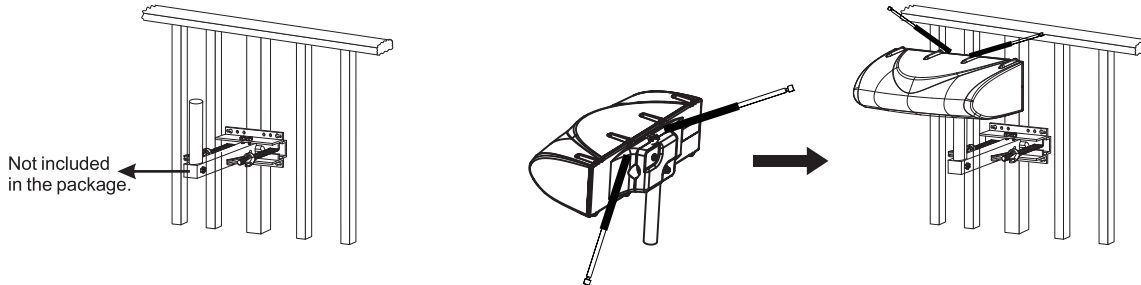
Horizontal installation

Vertical installation

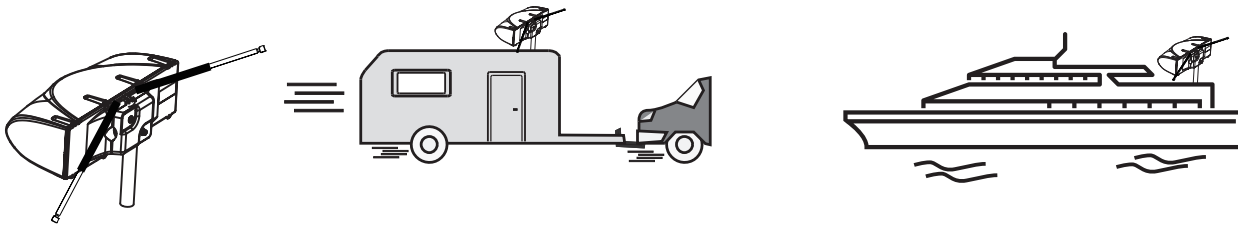
**(Fig.2)** use the wall mounting accessories to fix the antenna on the wall



**(Fig.3)** Use the wall mounting accessories to fix the antenna on the balcony



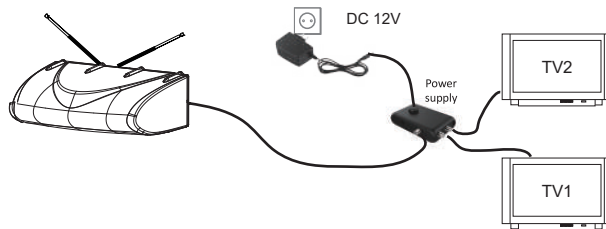
**(Fig.4)** Available for Mobile use.



**(Fig.5)** connect the "F" male connector of the coaxial cable to the "F" female connector of the antenna, and wear the water-proof cap to the end of the connected "F" connector.



**Installation:** Please take following (Fig.6) installation instruction for the reference.



**(Fig.6)**

Note: After the antenna mounting and installation is finished, please adjust the antenna in the best position that can get clear TV picture, then fix the antenna, organize the coaxial cable for neat, tidy and safety,

**Operation Instruction:**

- Note: For the best reception, please check the following conditions
1. Keep the antenna away from the sources of interference: keep the antenna away from those big power consumption devices, such as air conditioner, elevator, hair dryer and microwave oven...etc.
  2. Place the antenna near windows when use the antenna in indoor environment.
  3. Install the antenna as high as possible: in digital terrestrial reception, if there are some interceptions between antenna and transmission tower, it will cause the signal loss temporarily. So if the antenna is installed as possible, those interceptions will be reduced.

